

Flat Sheet Folder, boarder all around

Type Black Diamond

espriTech GmbH • Gisleren 2 • CH-3266 Wiler bei Seedorf
Switzerland

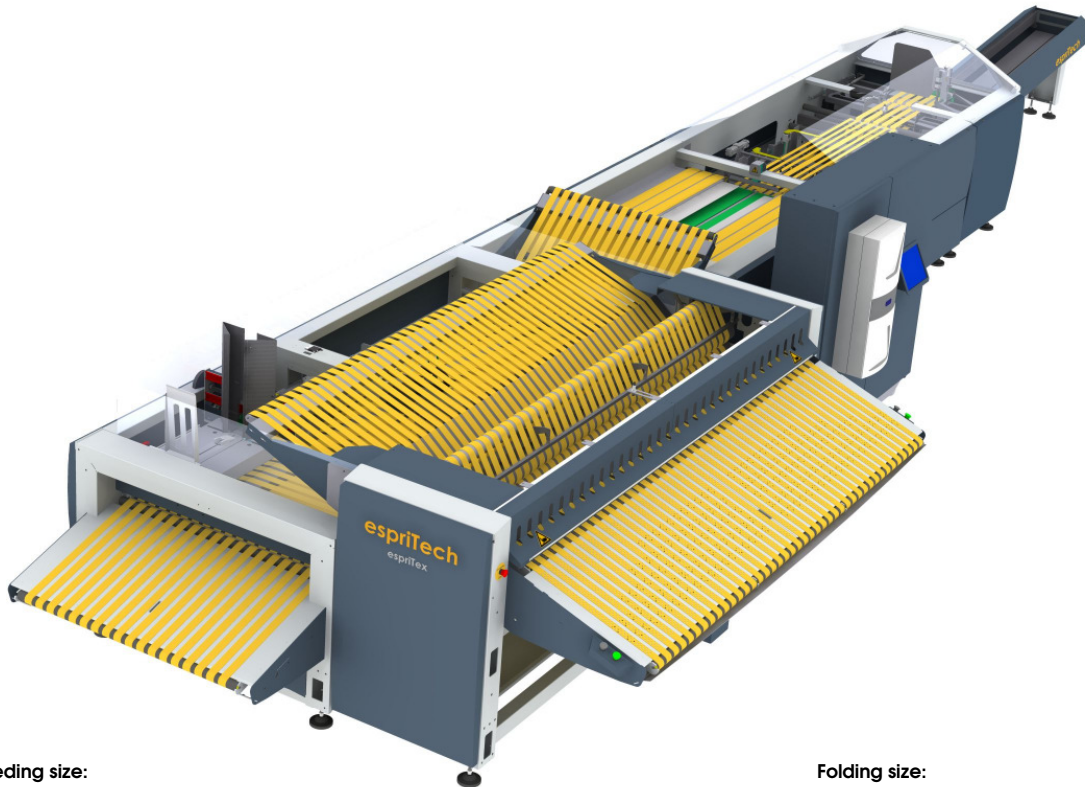
espriTech

The **Black Diamond** folding machine is for the folding and stacking of flat sheets, fitted sheets, curtains, blankets and other flat fabrics - woven, non woven, non-elastic flat pieces.

This installation is a stand - alone unit. The folding machine is able to work up various material types including cotton, sateen, mixture fabric, polyester/cotton and flannel.

The feeding edges of the pieces are shown as outside folding or hidden as inside folding.

The system is equipped with a cardboard inserting device for standard and book fold folding.



Feeding size:

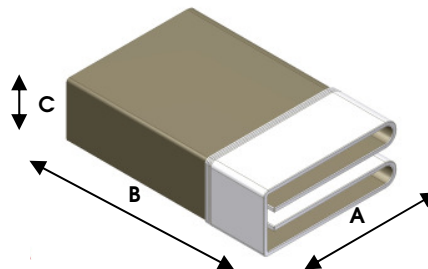
(Additional sizes on request)

- W = 40" - 120" / 1000mm - 3050mm
- L = 40" - 130" / 1000mm - 3300mm

Folding size:

(Additional sizes on request)

- A = 6" - 15" / 152mm - 301mm
- B = 9" - 16" / 228mm - 406mm
- C = gusset up to 6" / 152mm



Production:

- Two operator for manual feeding
- Up to 650 pieces / h

Modules:

- In feed table, two sides
- Cross fold A (by pinch rolls & air blast)
- Cross fold B (by reversing & air blast)
- 90° Turning station
- Cardboard inserter
- Cross fold C (by reversing & air blast)
- Lateral fold A (by sliders & templates)
- Cross fold D (by swing arm)
- Cross fold E (by swing arm)
- Cross fold F (by reversing & folding knife)
- Stacker

Folding pattern:

- Top fold (visible boarder)
- Inside fold (hidden boarder)

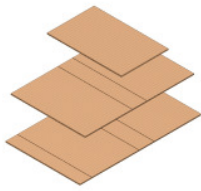


Book fold
Boarder all around



Standard fold
Boarder all around



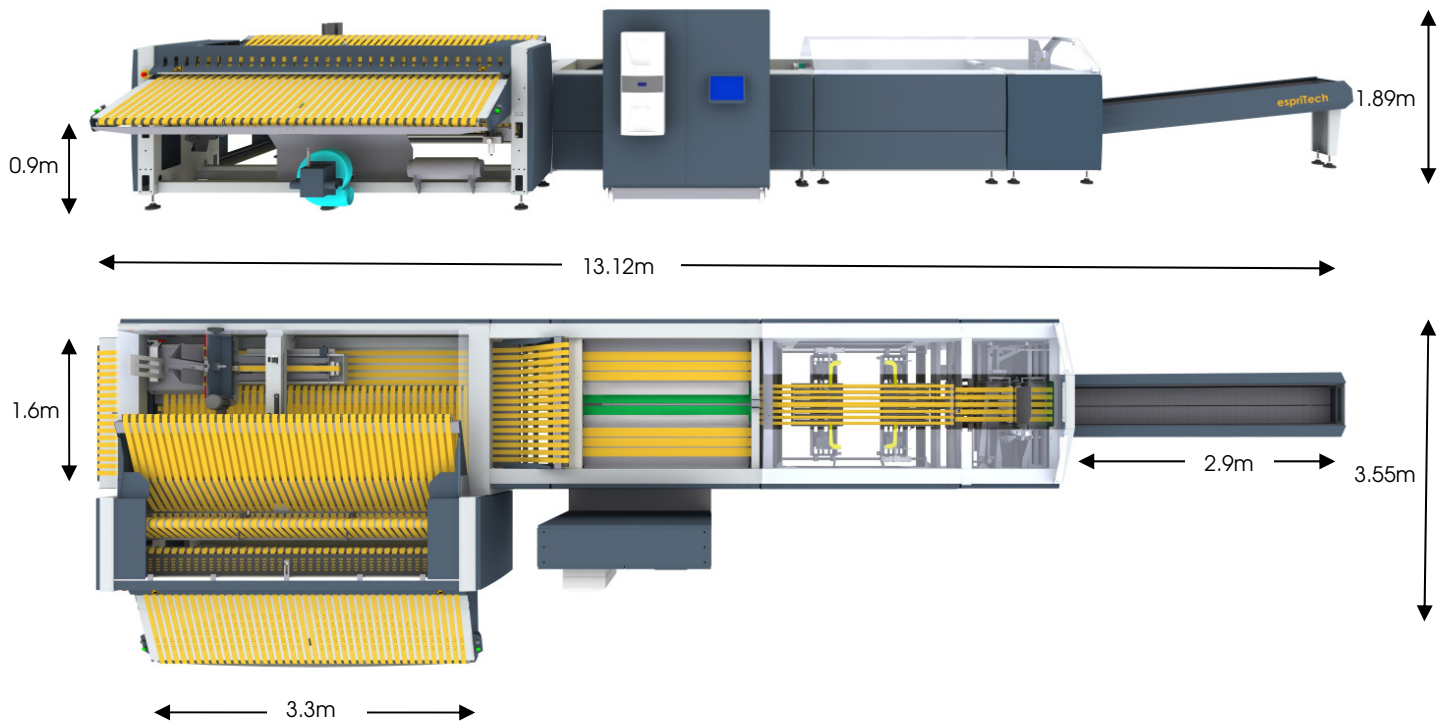


Cardboard types & sizes (Standard & book cardboard):

(Additional sizes on request)

- Maximum width 381 mm/15"
- Minimum width 152 mm/6"
- Maximum length 698 mm/27 1/2" + height of the gusset max. 152 mm/6"
- Minimum length 444 mm/17 1/2" + height of the gusset max. 152 mm/6"
- magazine load up to 405 mm (16")

All cardboards will be folded to the very inside of the fabric, non visible



Technical data:

- 230/400V 50/60Hz, 3 phases/N/PE, approx 20A, 13 kW
- Compressed air 6Bar/87psi
- 820 l/min air consumption

Control system:

- Beckhoff TwinCAT, PC- Windows
- 15" Touchscreen
- 40'000 program spaces
- Remote access (Internet)
- Cooling system integrated

Options

- Additional folding stations
- Rolloff stacking system
- Rolling device
- Many other options on request

Business contact:

espriTech

espriTech GmbH
 Gisleren 2
 CH-3266 Wiler bei Seedorf
 Switzerland

www.espritech.ch
info@espritech.ch

T: +41 32 530 22 78
 F: +41 32 530 22 79

Manufactured by:

espriTex

espriTex GmbH
 Gisleren 2
 CH-3266 Wiler bei Seedorf
 Switzerland