

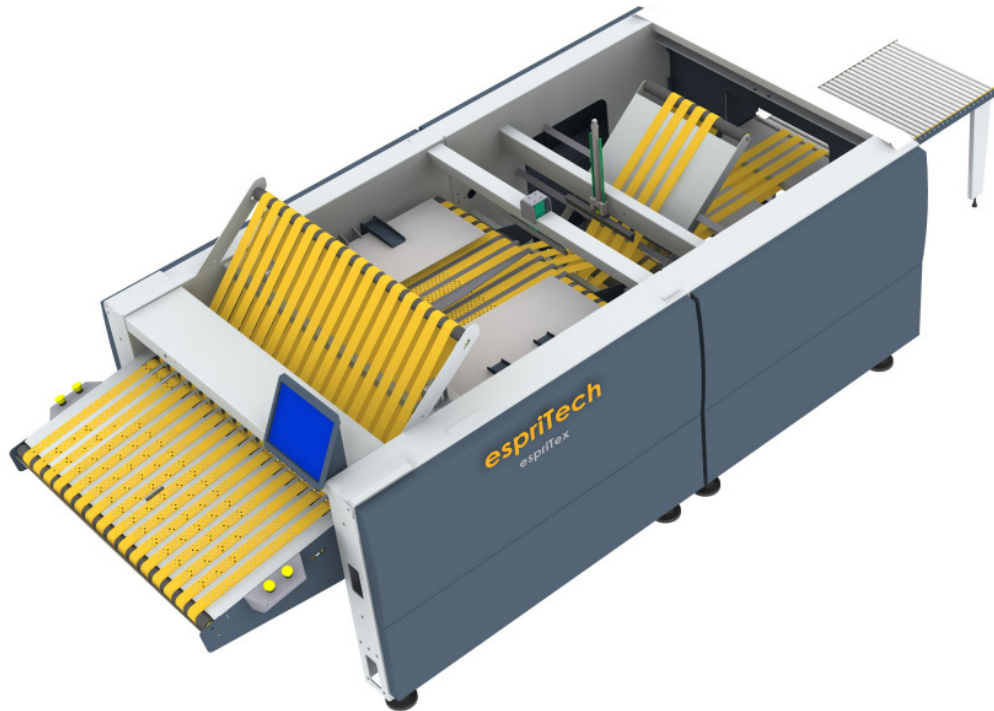
Small Piece Folder, boarder a cross

Type Black Onyx

espriTech GmbH • Gislere 2 • CH-3266 Wiler bei Seedorf
Switzerland

espriTech

The **Black Onyx** folding machine is for the folding and stacking of dippers, - woven, non-elastic flat pieces. This installation is a stand - alone unit. The folding machine is able to work up various material types including terry, cotton, sateen, mixture fabric, polyester/cotton and flannel. The feeding edges of the pieces are shown as outside folding.



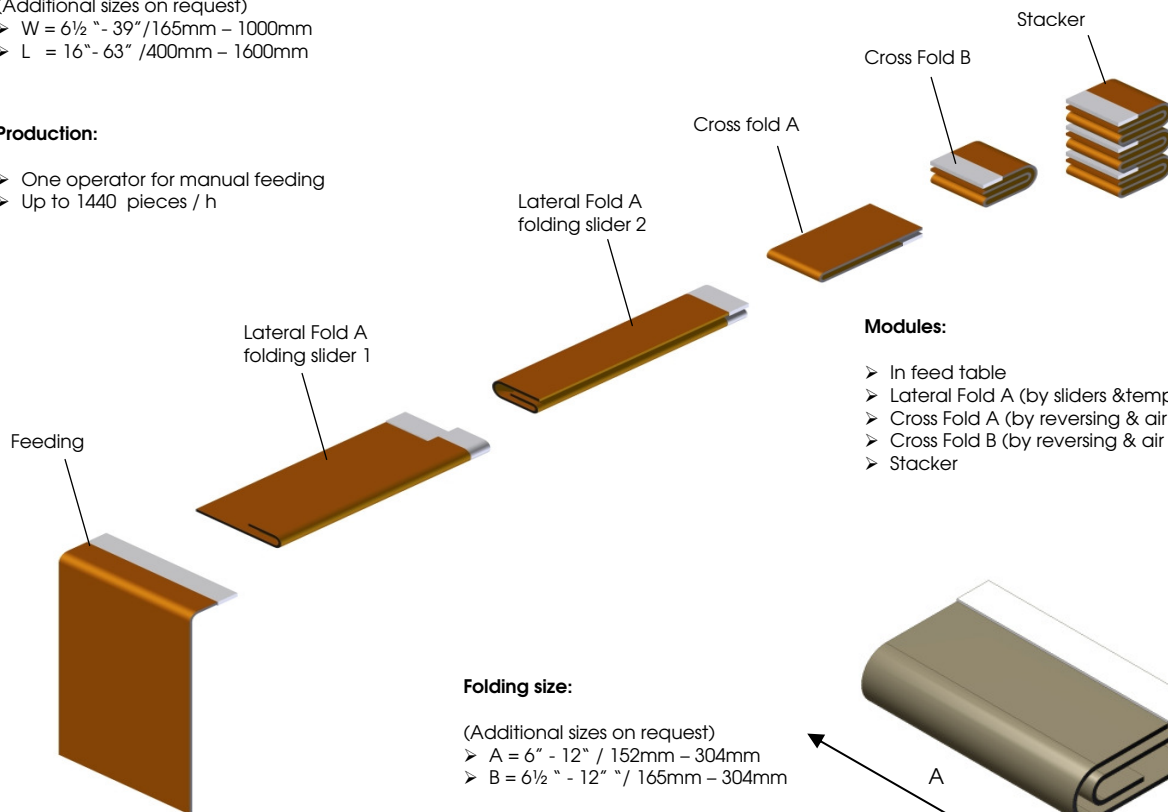
Feeding size:

(Additional sizes on request)

- W = 6½" - 39" / 165mm - 1000mm
- L = 16" - 63" / 400mm - 1600mm

Production:

- One operator for manual feeding
- Up to 1440 pieces / h



Modules:

- In feed table
- Lateral Fold A (by sliders & templates)
- Cross Fold A (by reversing & air blast)
- Cross Fold B (by reversing & air blast)
- Stacker

Folding size:

(Additional sizes on request)

- A = 6" - 12" / 152mm - 304mm
- B = 6½" - 12" / 165mm - 304mm

Folding pattern:

- 30 Folding constellations
- Top fold (visible boarder)

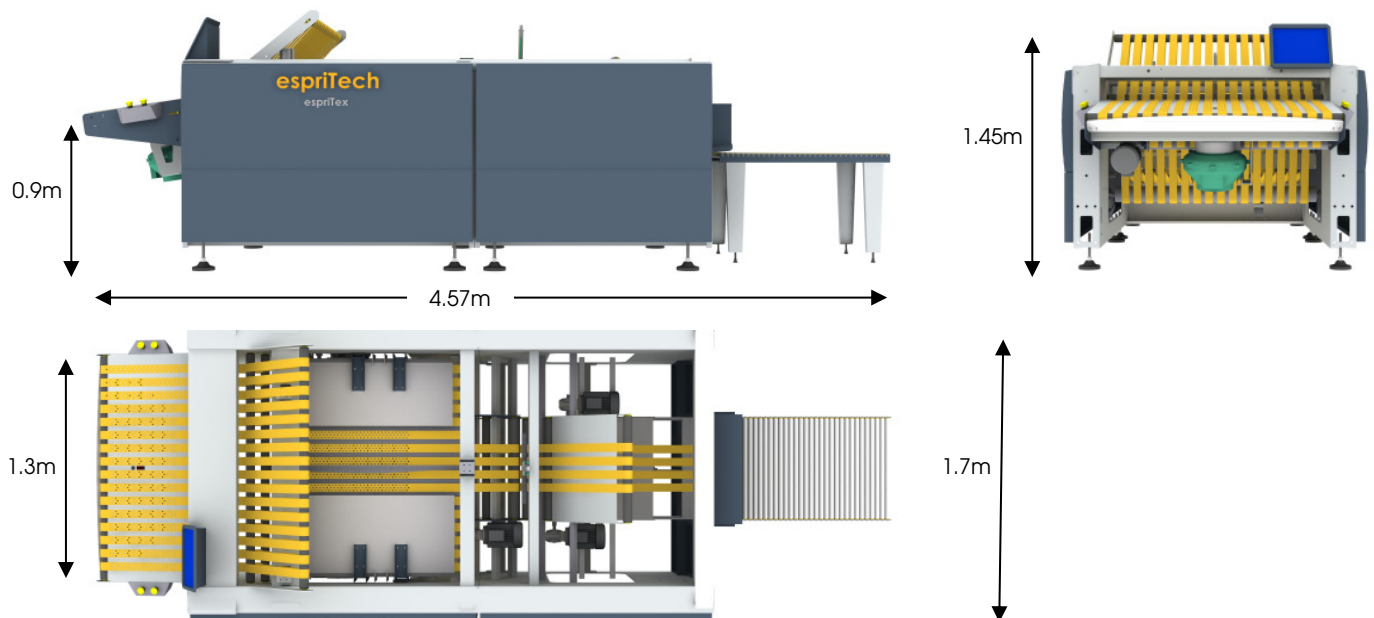
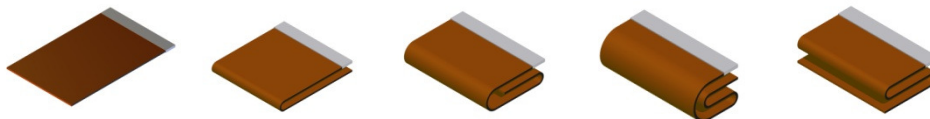
Folding pattern lateral fold section:

- Bypass
- Half fold
- 3rd fold
- 4rd fold
- Fix dimension 1



Folding pattern cross fold section:

- Bypass
- Half fold
- 3rd fold
- 4rd fold
- S - fold



Technical data:

- 230/400V 50/60Hz, 3 phases/N/PE, approx 7kW
- Compressed air 6Bar/87psi
- 240 l/min air consumption

Control system:

- Beckhoff TwinCAT, PC- Windows
- 15" Touchscreen
- 40'000 program spaces
- Remote access (Internet)

Options

- Cooling system
- On request

Business contact:

espriTech

espriTech GmbH
Gisleren 2
CH-3266 Wiler bei Seedorf
Switzerland

www.espritech.ch
info@espritech.ch

T: +41 32 530 22 78
F: +41 32 530 22 79

Manufactured by:

esprifex

esprifex GmbH
Gisleren 2
CH-3266 Wiler bei Seedorf
Switzerland