

Towel Folder, fold & roll

Type Green Opal

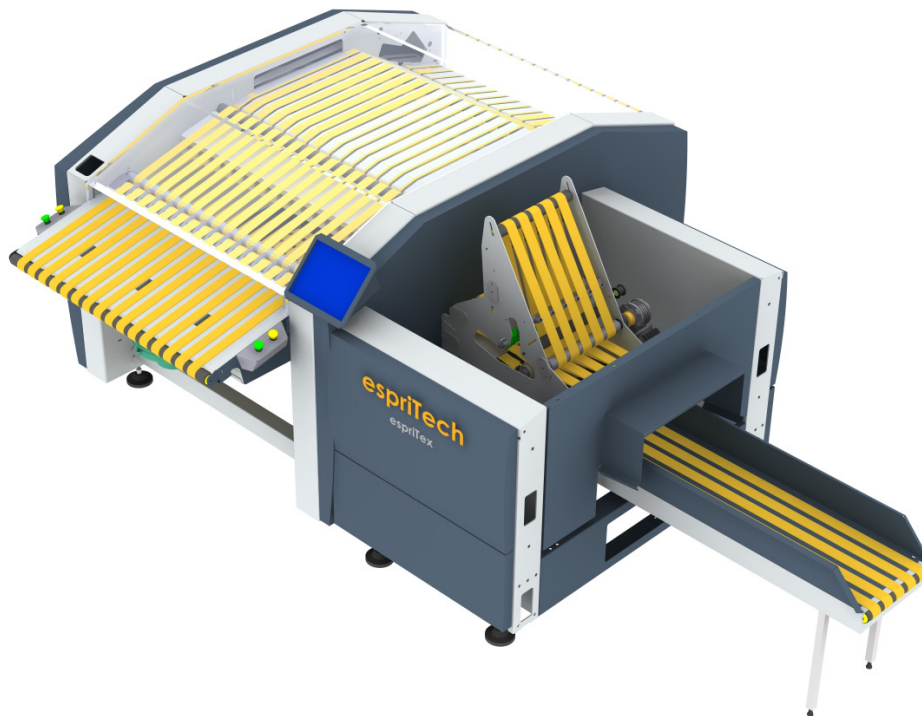
espriTech GmbH • Gisliren 2 • CH-3266 Wiler bei Seedorf
Switzerland

espriTech

The **Green Opal** folding machine is for the folding and rolling of towels and other flat products, - woven, non woven, non-elastic flat pieces.

This installation is a stand - alone unit. The folding machine is able to work up various material types including terry, cotton, sateen, mixture fabric, polyester/cotton and flannel.

The feeding edges of the pieces are shown as outside fold on the roll.



Feeding size:

(Additional sizes on request)

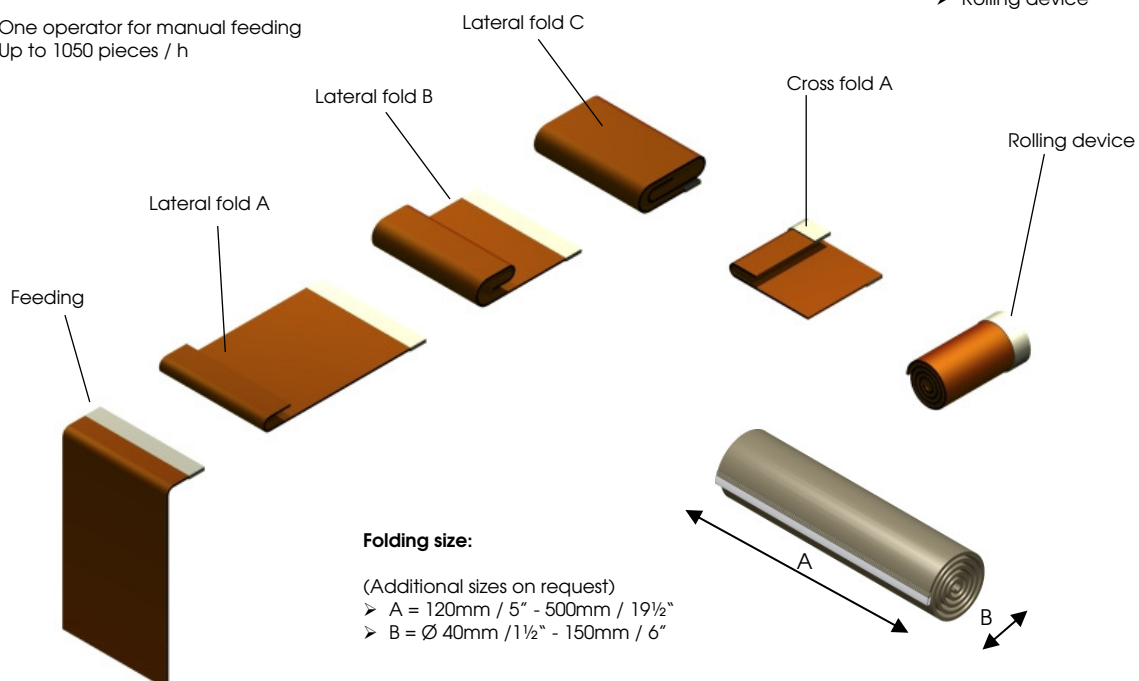
- W = 7³/₄" - 47" / 200mm - 1200mm
- L = 16" - 79" / 400mm - 2000mm

Production:

- One operator for manual feeding
- Up to 1050 pieces / h

Modules:

- In feed Table
- Lateral fold A (by reversing & air blast)
- Lateral fold B (by reversing & air blast)
- Lateral fold C (by reversing & air blast)
- 90° Transport
- Cross fold A
- Rolling device

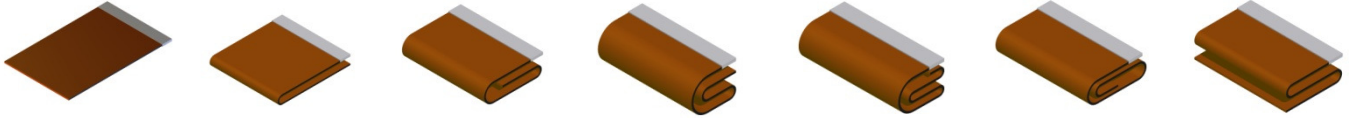


Folding pattern:

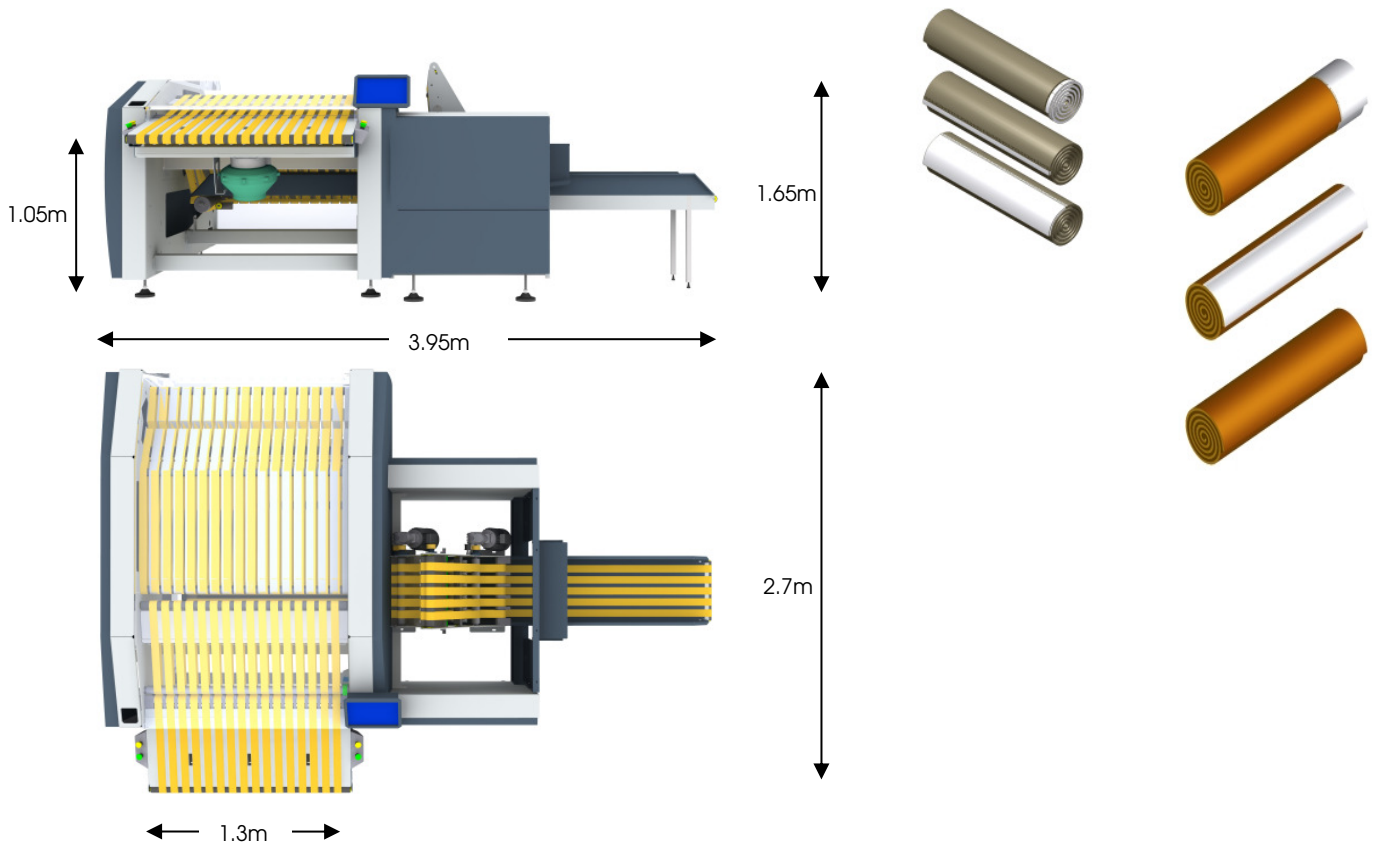
- 120 Folding constellations
- Top fold (visible boarder)

Folding pattern lateral fold section:

- Bypass
- Half fold
- 3rd fold
- 4rd fold
- Fix dimension 1
- Fix dimension 2
- S – fold



Folding pattern cross fold & rolling section:



Technical data:

- 230/400V 50/60Hz, 3 phases/N/PE, approx 10 kW
- Compressed air 6Bar / 87psi
- 240 l/min air consumption

Control system:

- Beckhoff TwinCAT, PC- Windows
- 15" Touchscreen
- 40'000 program spaces
- Remote access (Internet)

Options

- Cooling system
- On request

Business contact:

espritech

espritech GmbH
Gisleren 2
CH-3266 Wiler bei Seedorf
Switzerland

www.espritech.ch
info@espritech.ch

T: +41 32 530 22 78
F: +41 32 530 22 79

Manufactured by:

espritech

espritech GmbH
Gisleren 2
CH-3266 Wiler bei Seedorf
Switzerland