

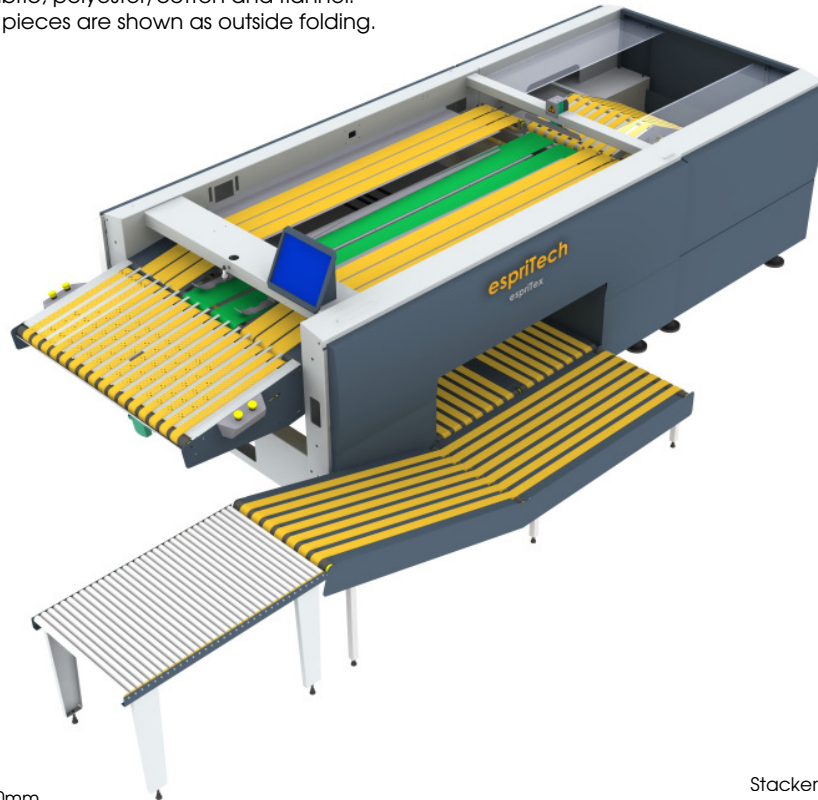
Towel Folder, boarder a cross

Type White Opal

espritech GmbH • Gislere 2 • CH-3266 Wiler bei Seedorf
Switzerland

espritech

The **White Opal** Folding Machine is for the folding and stacking of Towels, - woven, non-elastic flat pieces. This installation is a stand - alone unit. The folding machine is able to work up various material types including terry, cotton, sateen, mixture fabric, polyester/cotton and flannel. The feeding edges of the pieces are shown as outside folding.



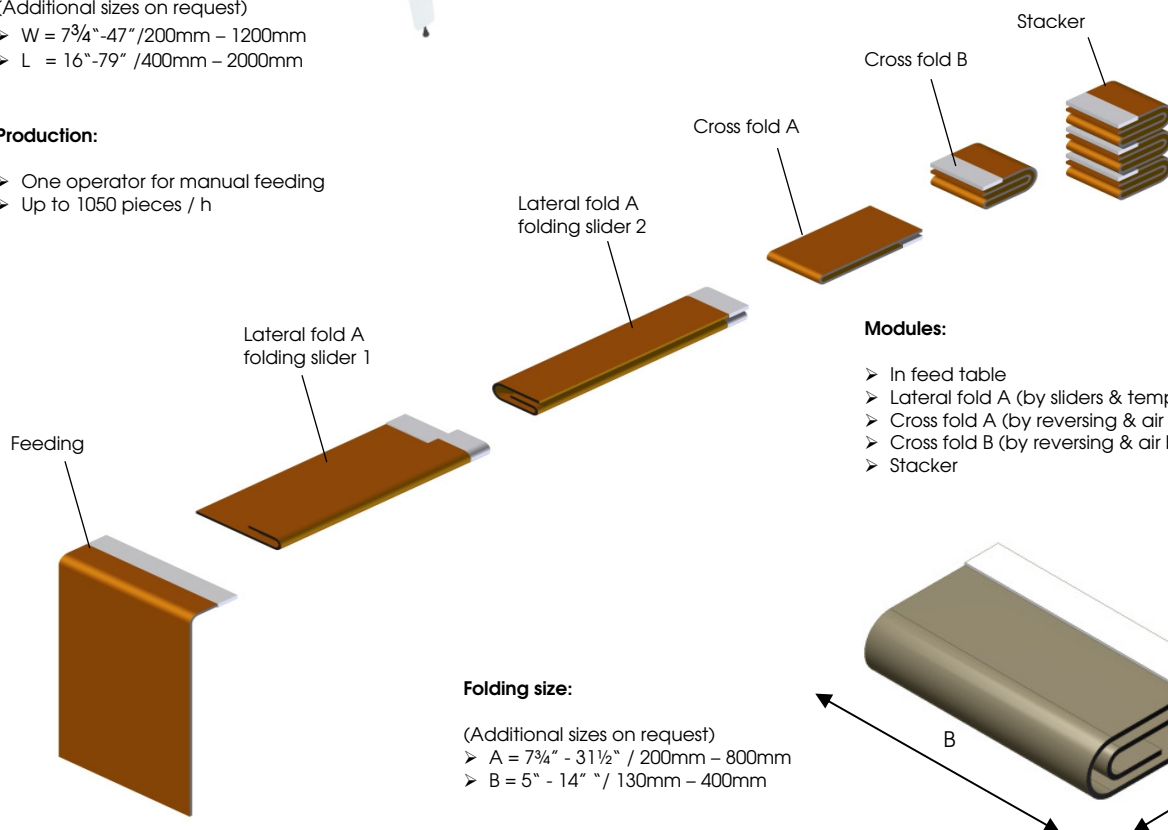
Feeding size:

(Additional sizes on request)

- W = 7³/₄" - 47" / 200mm - 1200mm
- L = 16" - 79" / 400mm - 2000mm

Production:

- One operator for manual feeding
- Up to 1050 pieces / h



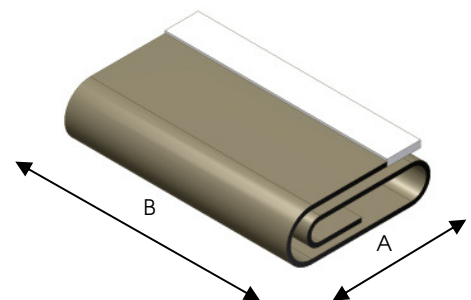
Modules:

- In feed table
- Lateral fold A (by sliders & templates)
- Cross fold A (by reversing & air blast)
- Cross fold B (by reversing & air blast)
- Stacker

Folding size:

(Additional sizes on request)


- A = 7³/₄" - 31¹/₂" / 200mm - 800mm
- B = 5" - 14" / 130mm - 400mm



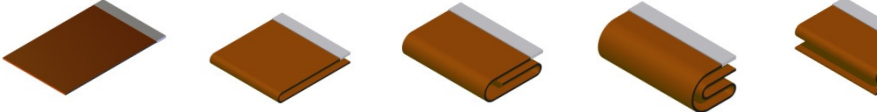
Folding pattern:

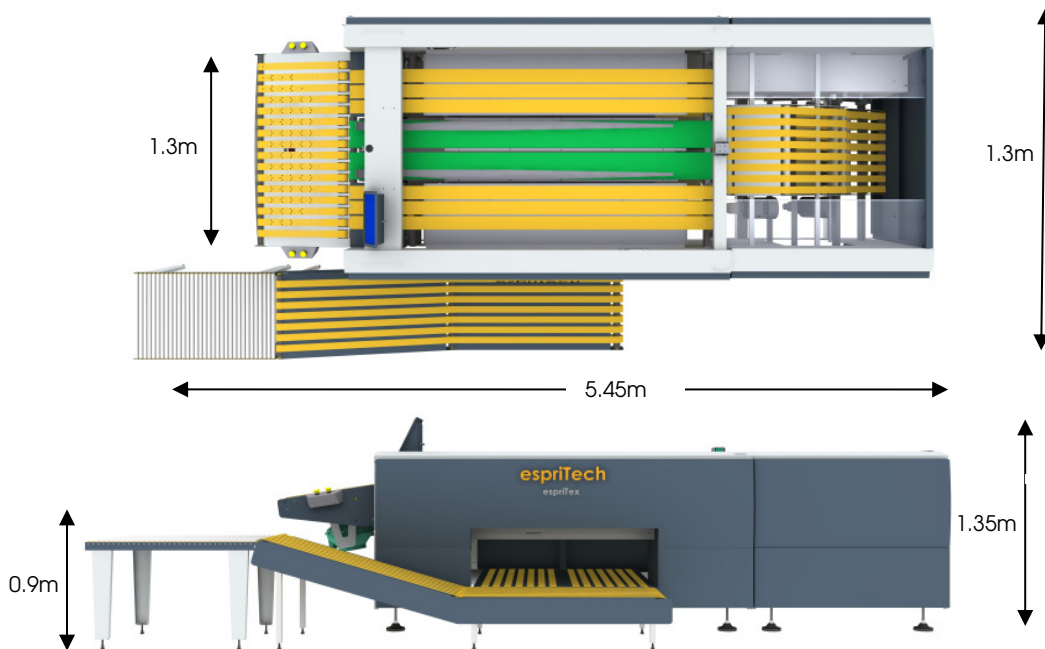
- 30 Folding constellations
- Top fold (visible boarder)

Folding pattern lateral fold section:

- Bypass
 - Half fold
 - 3rd fold
 - 4rd fold
 - Fix dimension 1
- 

Folding pattern cross fold section:

- Bypass
 - Half fold
 - 3rd fold
 - 4rd fold
 - S – fold
- 



Technical data:

- 230/400V 50/60Hz, 3 phases /N/PE, approx 7 kW
- Compressed air 6Bar / 87psi
- 240 L/Min Air Consumption

Control system:

- Beckhoff Twincat, PC- Windows XP
- 15" Touchscreen
- 40'000 program spaces
- Remote access (Internet)

Options

- Cooling system
- On request

Business contact:

espritech

espritech GmbH
Gisleren 2
CH-3266 Wiler bei Seedorf
Switzerland

www.espritech.ch
info@espritech.ch

T: +41 32 530 22 78
F: +41 32 530 22 79

Manufactured by:

esprITex

esprITex GmbH
Gisleren 2
CH-3266 Wiler bei Seedorf
Switzerland